



Canada's Leading Fan Coil Manufacturer

Since 1972

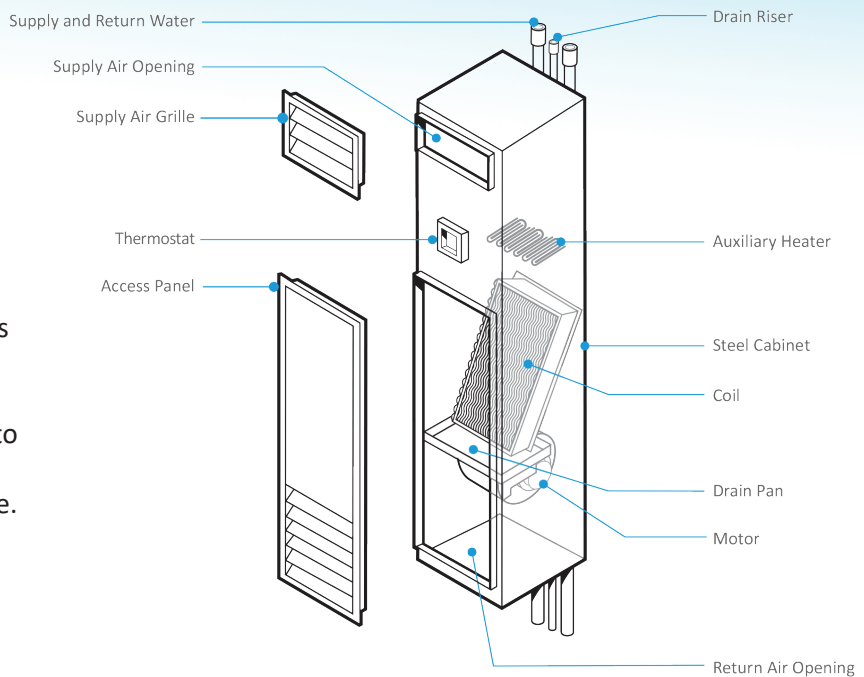


ABOUT UNILUX

In 1972 Unilux began manufacturing vertical fan coils as a replacement to radiant baseboard heating in residential high-rise buildings. Unilux is Canada's original manufacturer of fan coils and can be found in over 1,000,000 homes. Over 90% of residential buildings in Ontario have Unilux fan coils. That includes condominiums, apartments, hotels, and seniors residences.

WHAT IS A FAN COIL UNIT?

Vertical fan coils are a type of HVAC system commonly found in high-rise residential buildings. The system consists of two main components - a fan and a coil. The fan draws ambient air from the suite and blows it across a coil that contains hot or cold water. The air is heated or cooled depending on the season and thermostat settings, then recirculated into the suite. Your fan coil can be found behind the access panel door in the wall of your suite.



AGING FAN COIL UNITS

A fan coil is one of the only pieces of equipment in your building in constant operation. Like a furnace in a single-family home, it has an expected lifespan. While Unilux products are incredibly durable, with some of our original fan coils still in operation, units over 20 years old should be inspected by the original equipment manufacturer to assess the condition.

Fan coils in buildings older than 20 years have a higher risk of:

Leaks & Flooding



Insulation Deterioration



Mould



Did You Know?

Repeated exposure to mould can potentially cause serious health conditions, including asthma. Mould inhalation can lead to an asthma attack where the airways narrow and become blocked by mucus. Mould can stimulate allergic immune responses and upon re-exposure inflammatory chemicals produced in the airways can cause an asthma attack. People with existing asthma are already hypersensitive and mould, like other allergens, could contribute to an asthma attack.

Dr. Dean Befus, University of Alberta, School of Medicine

THE UNILUX CRFC RETROFIT FAN COIL UNIT

Unilux has developed a retrofit fan coil to replace aging units in buildings over 20 years old. Using 50 years of manufacturing experience, the Unilux retrofit fan coil is designed to replace any existing model of fan coil and to fit seamlessly into the existing cabinet within the suite damage-free. The Unilux retrofit fan coil is engineered to tie into the existing heating and cooling systems of any building.



WHY SHOULD I REPLACE MY EXISTING FAN COIL UNIT?



Mould Prevention – Age, humidity, lack of maintenance, and fiberglass deterioration are common issues resulting in mould growth. The retrofit unit uses closed cell foam insulation with anti-microbial properties in place of fiberglass to prevent moisture absorption and deterioration.



Air Flow – The volume of air emitted diminishes over time due to a buildup of debris on the underside of the coil. Our tests have found an average of 25% less air flow in units older than 20 years.



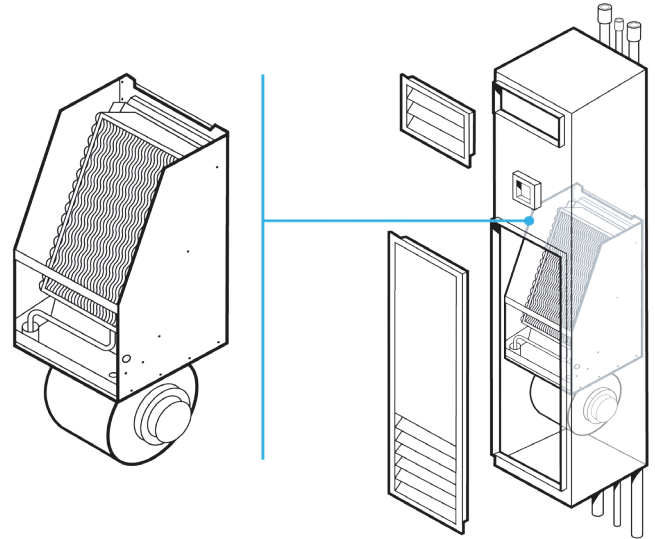
Energy Efficiency – Newer motors consume much less energy. The new manifold plumbing system prevents water from needlessly circulating when the system is off.



Noise Reduction – A study by WT&A Engineering found the new retrofit fan coils to be 5dB quieter than existing fan coils.



Flooding – Flat drain pans allow for pooling and corrosion over time, creating holes for condensate water to leak through. The Unilux retrofit drain pan is sloped towards the center and includes a floor sensor that alerts the resident to any potential leaks.

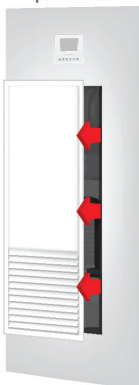


Indoor Air Quality – Deteriorating fiberglass can detach due to air agitation and be blown into the suite. Studies have found that inhaling fiberglass insulation can aggravate asthma, cause bronchitis-like symptoms, and cause irritation in the throat and nasal passage. With most Canadians spending 90% of their time indoors, healthy indoor air quality is one of the single most important factors in considering a fan coil retrofit.

Step 1
Access fan coil



Step 2
Remove access panel door



Step 3
Remove existing fan coil



Step 4
Clean & sanitize cabinet



Step 5
Re-insulate cabinet



Step 6
Install Unilux retrofit fan coil



Step 7
Replace access panel door



Step 8
Clean up



UPGRADING YOUR ACCESSORIES

As part of the retrofit process Unilux offers upgrade accessories to further enhance the ventilation quality, health and safety, and aesthetic in your suite.

Grilles



Smart Thermostats



Access Panel Doors



Flexible Monthly Payments for your Retrofit Fan Coils

Unilux CRFC offers a convenient and flexible financing program with various options for residents looking to retrofit their fan coils. Financing allows you to break the cost of your fan coils up into convenient monthly payments that fit within your budget.



“

I had 2 fan coil units replaced. My units had mould and I suffer from COPD, so we went to my daughters [throughout installation] and when we came back later, they were cleaning up. An excellent job by two very professional servicemen. The new units are great, whisper quiet & clean at last. Thank you so much Unilux. No problem giving this Company 5 Stars.

Sandy A | Board of Director

“

Unilux management, staff, and technicians are highly professional, friendly, and make every effort to ensure satisfaction of their customers. I am on my building's condo board and they understood our challenge with our HVAC system, provided a solution, and quickly upgraded 70+ suites with high satisfaction. Highly recommend!

Sebou M | Board of Director



Canada's Leading Fan Coil Manufacturer
Condos | Apartments | Hotels | Seniors Residences

888.627.6727
info@uniluxcrfc.com
www.uniluxcrfc.com